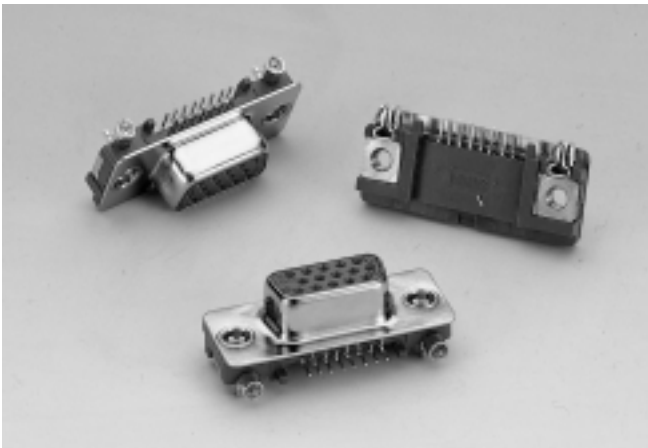


ULTRA THIN D-SUB HIGH DENSITY

FOR VESA DDC II (FEMALE DIP TYPE FOOTPRINT 1.2mm)

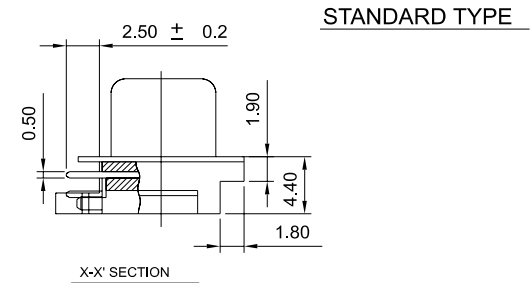
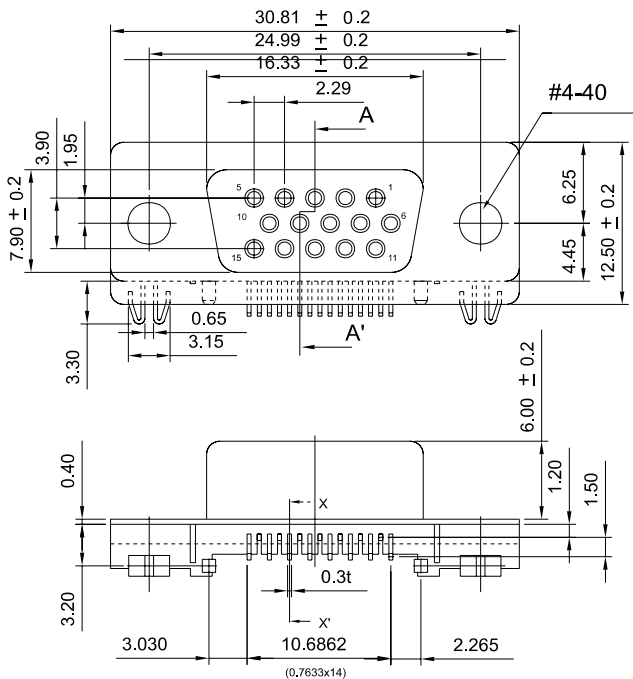


070435FR Series

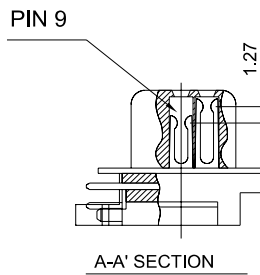
Mates with *SUYIN 070902M Series*

Specifications:

- **15 Circuits**
- **Insulator Material** : Black/Blue High Temp. Plastic
- **Operating Temp. Range** : 230°C for 30 Seconds
- **Terminal Material** : Phosphor Bronze
- **Plating** : Selective Plated (Gold/Tin)
: Metal shell-Nickel Plated
: Soldering clip-Tin Plated
- **Max. Current Rating** : 2.5A
- **Voltage Rating** : 250V AC
- **Dielectric Strength** : 500V (Min. 60 Seconds)



VESA DDC II TYPE



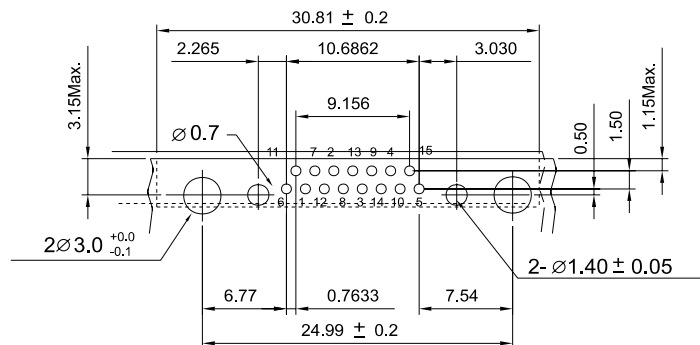
Order Information

070435FR015□□□□□U
1 2 3 6 4 5

1. 'R' : Right Angle Dip Type
2. No. of Pins
3. Plating
4. Color 'Z' : Black
'I' : Baby Blue(284C)
5. Package
'U' : Tube Package Without Cap
- 6.

SUYIN P/NO.	
070435FR015□□00□U	Standard TYPE
070435FR015□□08□U	VESA DDC II TYPE

Recommended P.C.B Layout



Reference Page 11

* Available for PC 99 system/BLUE Color